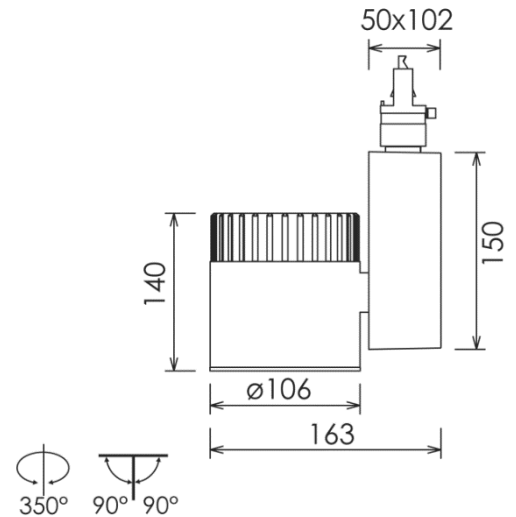


TECHNISCHE VERLICHTING

3-FASE TRACKSPOTS

BEAM 0597



TECHNISCHE GEGEVENS

| | |
|---------------|--------------------------------|
| Benaming | Beam 0597 |
| Kleur toestel | Wit / Zwart |
| LxBxH | Zie afbeelding |
| Klasse | LED |
| Dimbaar | Keuze uit niet-dimbaar of DALI |
| Vermogen | 16W tot 47W |
| Voltage | 220-240V 50-60Hz |
| Lichtkleur | 3000K of 4000K |
| CRI | >80 of >90 |
| Stralingshoek | 36° of 60° |
| IP | 20 |
| Energielabel | A++ |

PRODUCTEIGENSCHAPPEN

- Module: Philips Fortimo SLM LED
- Driver: Philips Xitanium
- GEEN infrarood- en GEEN UV-straling!
- Kleurconsistentie: 4 SDCM
- Levensduur: L70/B50 bij 50.000u



BIJLAGE – TECHNISCHE VERLICHTING

DOWNLIGHTERS

BEAM 0597

| BENAMING | WATTAGE | KELVIN | LUMEN | CRI | HOEK | DIMBAAR | ARMATUUR KLEUR |
|-------------------|---------|--------|-------|-----|------|---------|-------------------|
| BEAM 0597(B).1212 | 16W | 3000K | 1600 | 80 | 36° | / | WIT (ZWART) |
| BEAM 0597(B).1213 | 16W | 3000K | 1600 | 80 | 60° | / | WIT (ZWART) |
| BEAM 0597(B).2212 | 16W | 4000K | 1700 | 80 | 36° | / | WIT (ZWART) |
| BEAM 0597(B).2213 | 16W | 4000K | 1700 | 80 | 60° | / | WIT (ZWART) |
| BEAM 0597(B).3212 | 16W | 3000K | 1350 | 90 | 36° | / | WIT (ZWART) |
| BEAM 0597(B).3213 | 16W | 3000K | 1350 | 90 | 60° | / | WIT (ZWART) |
| BEAM 0597(B).7212 | 16W | 4000K | 1450 | 90 | 36° | / | WIT (ZWART) |
| BEAM 0597(B).7213 | 16W | 4000K | 1450 | 90 | 60° | / | WIT (ZWART) |
| BEAM 0597(B).1312 | 28W | 3000K | 2550 | 80 | 36° | / | WIT (ZWART) |
| BEAM 0597(B).1313 | 28W | 3000K | 2550 | 80 | 60° | / | WIT (ZWART) |
| BEAM 0597(B).2312 | 28W | 4000K | 2750 | 80 | 36° | / | WIT (ZWART) |
| BEAM 0597(B).2313 | 28W | 4000K | 2750 | 80 | 60° | / | WIT (ZWART) |
| BEAM 0597(B).3312 | 28W | 3000K | 2200 | 90 | 36° | / | WIT (ZWART) |
| BEAM 0597(B).3313 | 28W | 3000K | 2200 | 90 | 60° | / | WIT (ZWART) |
| BEAM 0597(B).7312 | 28W | 4000K | 2350 | 90 | 36° | / | WIT (ZWART) |
| BEAM 0597(B).7313 | 28W | 4000K | 2350 | 90 | 60° | / | WIT (ZWART) |
| BEAM 0597(B).1412 | 47W | 3000K | 3750 | 80 | 36° | / | WIT (ZWART) |
| BEAM 0597(B).1413 | 47W | 3000K | 3750 | 80 | 60° | / | WIT (ZWART) |
| BEAM 0597(B).2412 | 47W | 4000K | 4050 | 80 | 36° | / | WIT (ZWART) |
| BEAM 0597(B).2413 | 47W | 4000K | 4050 | 80 | 60° | / | WIT (ZWART) |
| BEAM 0597(B).3412 | 47W | 3000K | 3250 | 90 | 36° | / | WIT (ZWART) |
| BEAM 0597(B).3413 | 47W | 3000K | 3250 | 90 | 60° | / | WIT (ZWART) |
| BEAM 0597(B).7412 | 47W | 4000K | 3500 | 90 | 36° | / | WIT (ZWART) |
| BEAM 0597(B).7413 | 47W | 4000K | 3500 | 90 | 60° | / | WIT (ZWART) |
| BEAM 0597(B).1432 | 39W | 3000K | 3300 | 80 | 36° | DALI | WIT (ZWART) |
| BEAM 0597(B).1433 | 39W | 3000K | 3300 | 80 | 60° | DALI | WIT (ZWART) |
| BEAM 0597(B).2432 | 39W | 4000K | 3500 | 80 | 36° | DALI | WIT (ZWART) |
| BEAM 0597(B).2433 | 39W | 4000K | 3500 | 80 | 60° | DALI | WIT (ZWART) |
| BEAM 0597(B).3432 | 39W | 3000K | 2800 | 90 | 36° | DALI | WIT (ZWART) |
| BEAM 0597(B).3433 | 39W | 3000K | 2800 | 90 | 60° | DALI | WIT (ZWART) |
| BEAM 0597(B).7432 | 39W | 4000K | 3050 | 90 | 36° | DALI | WIT (ZWART) |
| BEAM 0597(B).7433 | 39W | 4000K | 3050 | 90 | 60° | DALI | WIT (ZWART) |